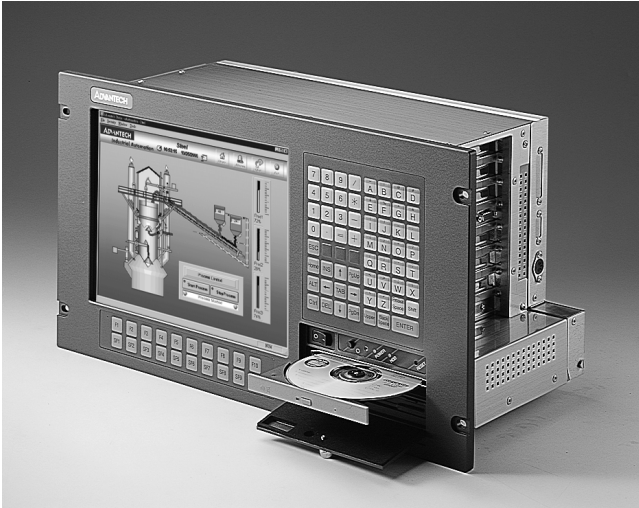


AWS-8430

*Slim Workstation with
12.1" LCD & 8 Expansion Slots*



Introduction

The AWS-8430 is a compact, high standard industrial workstation. It is designed to meet the tough needs of PC-based industrial automation. With a depth of only 220mm, it is easy to install on a machinery platform. Three fans are equipped to keep the working environment cool and stable. Featuring a stainless steel back case, the system is even tougher and more environmentally friendly than ever. Two HDD bays make the system flexible for expansion. High resolution (800x600) SVGA TFT LCD is equipped for high quality display needs.

Specifications

- **Front panel:** Aluminum, meets NEM4/IP65
- **Construction:** Heavy-duty stainless steel chassis
- **Disk drive housing:** Supports one slim 3.5" FDD, two 3.5" HDDs & one slim CD-ROM (CD-ROM and HDD optional)
- **VGA card:** PCI-bus; PCA-6654LB, with 2 MB VRAM on board
- **Cooling system:** Two 49 CFM fans on rear panel, one in power supply
- **Membrane keypads:** One with 60 data-entry keys, one with 10 function keys and 10 programmable macro function keys
- **Keyboard/mouse connector:** 6 pin PS/2 connector with dust-protection door on front panel
- **Indicators:** LEDs for power On/Off and HDD activity
- **Touchscreen (optional):** Analog resistive type with RS-232 controller
- **Operating temperature:** 0° ~ 50° C (32° ~ 122° F)
- **Relative humidity:** 5° ~ 85% @ 40° C, non-condensing
- **Storage temp.:** -20° ~ 60° C
- **Storage humidity:** 5% ~ 95% non-condensing

- **Dimensions (W x H x D):** 482 x 266 x 220 mm
(19.0" x 10.5" x 8.7")
- **CE, FCC, BSMI compliant**
- **Gross Weight:** 15.6 kg (34.4 lbs)
- **Vibration (operation):**
5 ~ 500 Hz 1G RMS Random Vibration

Passive Backplane

- **PCA-6107P2:** 4 ISA, 2 PCI, 1 CPU slots
- **PCA-6108C:** 8 ISA slots

Power Supply Options

AC input 300 W (standard offer)

- **Input:** 90 ~ 135 V_{AC} or 180 ~ 265 V_{AC}, switchable
- **Output:** +5 V @ 30 A; +12 V @ 15 A; +3.3 V @ 24 A
-5 V @ 0.3 A; -12 V @ 0.8 A; +5 VSB @ 2 A
- **MTBF:** 100,000 hours
- **Safety:** UL/CSA/TÜV

-48 V_{DC} input 310 W (ODM offer)

- **Input:** -38 ~ -58 V_{DC}
- **Output:** +5 V @ 25 A; +12 V @ 10 A; -5 V @ 1 A; -12 V @ 5 A
- **MTBF:** 100,000 hours
- **Safety:** UL/CSA/TÜV

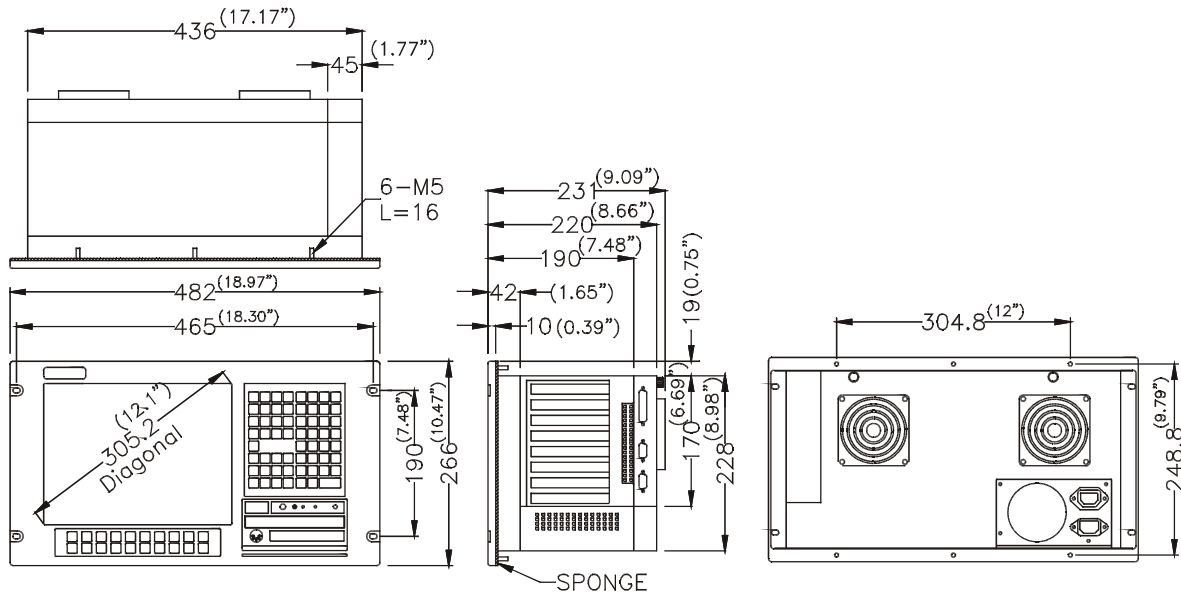
24 V_{DC} input 250 W (ODM offer)

- **Input:** +19 ~ +32 V_{DC}
- **Output:** +5 V @ 25 A; +12 V @ 10 A; -5 V @ 1 A; -12 V @ 1 A
- **MTBF:** 100,000 hours
- **Safety:** UL/CSA/TÜV

CE FCC BSMI

Dimensions

Unit: mm (inch)



Cut out dimension: 445 x 240 mm
(17.52" x 9.45")

LCD Display

| Model | AWS-8430T/TP |
|--------------------------------|-------------------------|
| Display type | 12.1" TFT color LCD |
| Max. resolution | 800 x 600 |
| Max. colors | 256K colors |
| Dot size (mm) | 0.3075 (H) x 0.3075 (V) |
| Luminance (cd/m ²) | 200 |
| Viewing angle | 90° |
| Operating Temp | 0° ~ 50° C |
| VR control | Brightness & ON/OFF |
| Simultaneous mode | Yes |
| LCD MTBF | 50,000 Hrs |
| Backlight MTBF | 20,000 Hrs |
| Default VGA card | PCA-6654LB (TP only) |

Ordering Information

- ❑ **AWS-8430TP**
12.1" SVGA TFT LCD, 4 ISA & 2 PCI slots, 300 W 110/220 V_{AC} power supply, 3.5" Slim FDD, PCA-6654LB PCI VGA card
- ❑ **AWS-8430T**
12.1" SVGA TFT LCD, 8 ISA slots, 300 W 110/220 V_{AC} power supply, 3.5" Slim FDD, without VGA card
- ❑ **AWS-8430TP-T**
AWS-8430TP with resistive touchscreen (RS-232 interface)
- ❑ **AWS-8430T-T**
AWS-8430T with resistive touchscreen (RS-232 interface)

Accessories

- ❑ **CDR-842-0024**
Slim 24X CD-ROM kit with support bracket